



Vapour barrier plate reverse



Fine texture visible part

166

Ceiling Solutions

THU

## non-metallic ceilings



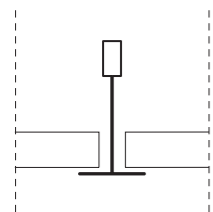
Laminated Plasterboard coated with a white Polyvinyl Chloride sheet that gives it special **water-resistant and cleaning properties**. Comes with an **aluminium sheet on the reverse side** that acts as a **vapour barrier** to protect it from condensation that could affect the plates.

It is a simple, quality and resistant building solution. It is characterised by its **ease of assembly and maintenance** as well as its easy access to the plenum. This is a versatile ceiling that adapts to any type of enclosure whatever the activity: commercial, educational or professional.

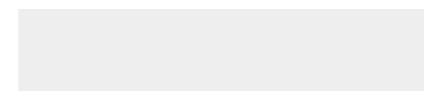
The plates are supported on a modular structure of 600 x 600 mm made up of removable ceiling profiles (T15, T24, T-Clip 15, T-Clip-24 or T-Decor), which when combined appropriately with their wide range of colours, offer great **aesthetic possibilities at an economical price**.

## formats

MODEL	PLATE	PALLET	
	mm	m <sup>2</sup>	units
Straight	595 x 595 x 9	115.2	320
	595 x 1195 x 9	86.4	120



## colours



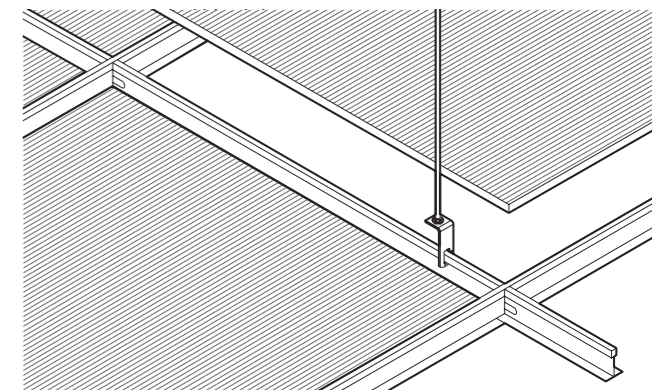
White



Black

## mounting

The hygitech plates are housed in a removable profile system composed of primary and secondary profiles that assemble together forming a modular structure measuring 600 x 600 mm or 600 x 1200 mm. The structure is supported to the framework via threaded rods attached to the primary profiles by hanger parts. The plates rest on the profile resulting in a ceiling that is removable at any point.

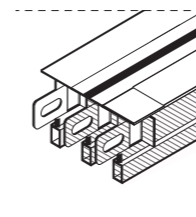


Technical File

## range

PRODUCT	DESCRIPTION	REACTION TO FIRE	DURABILITY	PRODUCT ADVANTAGE
Easy-cleaning	BV-type Laminated Plasterboard coated with a white Polyvinyl Chloride sheet that gives it special <b>water-resistant and cleaning properties</b> . Comes with an aluminium sheet on the reverse side that acts as a vapour barrier to protect it from condensation that could affect the plates.	A2-s1, d0	Class B	Reverse aluminium sheet (Vapour Barrier)
Biocide	Hygitech Biocide is a simple, high-quality and durable solution. This plate is characterised by its easy assembly and maintenance, in addition to allowing easy access to the plenum without damaging the original finish of the plate. Plates in a <b>white finish</b> with antibacterial treatment (ISO5 in accordance with ISO14644-1:2005) and vapour barrier on the reverse. This type of plate is characterised as being highly washable, making it ideal for areas with strict hygiene and cleaning requirements.	A2-s1, d0	Class B	Antibacterial treatment

## accessories



T-15, T-24, T-Clip 15, T-Clip-24 or T-Decor 24 Suspension system comprising primary and secondary profiles in a T-shape which form a modular structure over which the plates rest. The measurements of this profile vary depending on the desired aesthetic affect.

## performance features

MODEL	Units by m <sup>2</sup>
595 x 595 plate	2.80 units
595 x 1195 plate	1.39 units
Primary profile 3.7 m	0.84 ml
Secondary profile 1.2 m	1.68 ml
Secondary profile 0.6 m	0.84 ml
Hanger part	0.90 units



**deco vinyl**

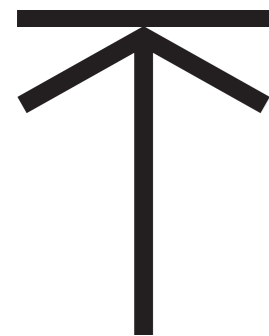
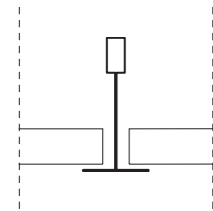
THU Deco Vinyl Plates, now with DIGITAL PRINTING. Decorated THU plate from the Deco Vinyl series for removable ceilings in a 600 x 600 mm or 600 x 1200 mm format. Composed of pressed plasterboard and covered where visible by digitally printed vinyl with different patterns and effects. Installation using THU T24 or T15 profiles.

How does it work? With digital printing you can reproduce any design on the Deco Vinyl.

Choose what you want to do and we'll do the rest.

**formats**

MODEL	PLATE		PALLET
	mm	m <sup>2</sup>	units
Straight	600 x 600 x 9	115.2	320
	600 x 1200 x 9	86.4	120



**colours**

Countless design and colour possibilities.

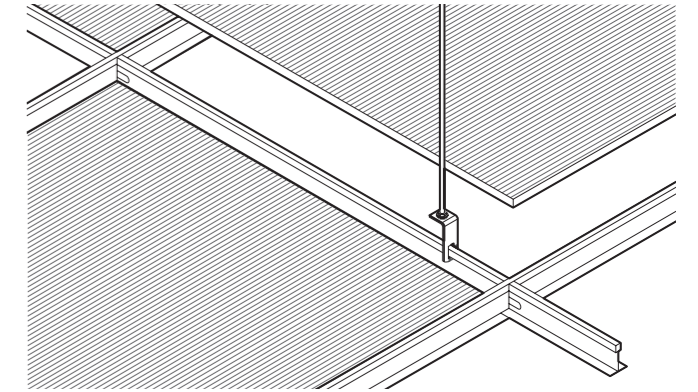
deco vinyl

Ceiling Solutions

THU

**performance features**

MODEL	Units by m <sup>2</sup>
600 x 600 plate	2.80 units
600 x 1200 plate	1.39 units
Primary profile 3.7 m	0.84 ml
Secondary profile 1.2 m	1.68 ml
Secondary profile 0.6 m	0.84 ml
Hanger part	0.90 units



**technical characteristics**

Finish	aw up to	Acoustic Absorption Class	Reaction to fire	Durability	% Recycled Material
Smooth	NPD	NPD	A2-s1, d0	Class B	NPD

