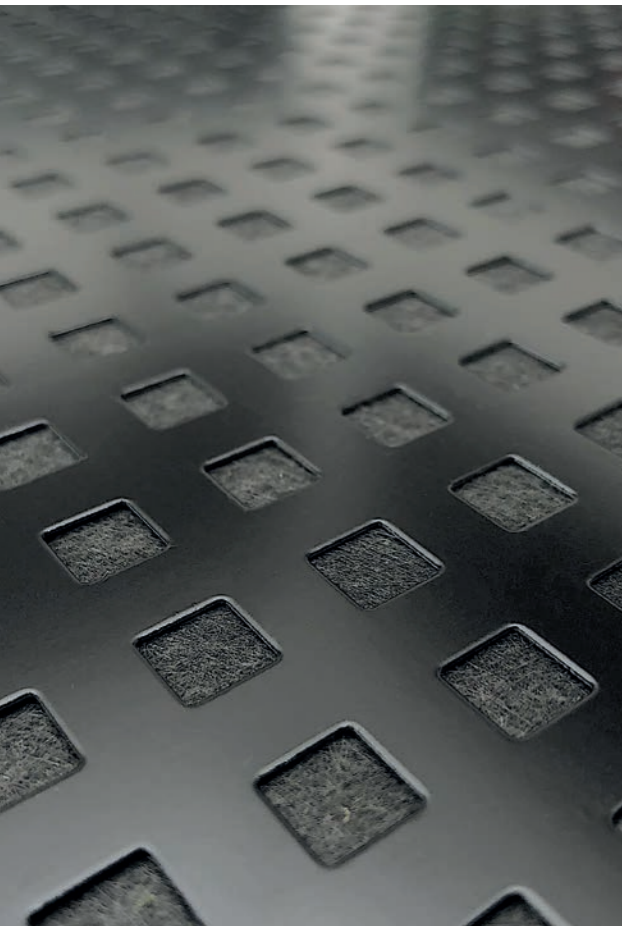
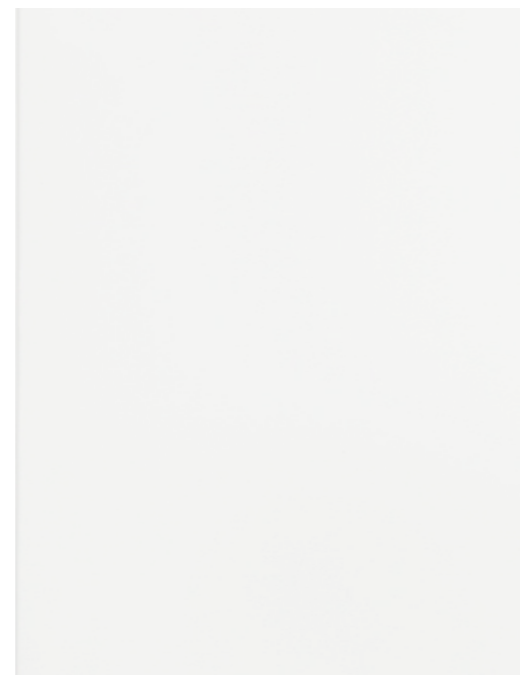


# sicilia clip-in folding panel



Perforated Finish Ø5 x 5



Smooth  
Finish

metallic ceilings panels

22

Ceiling Solutions

THU



The **Sicilia Clip-In folding** model goes a step further than the traditional Sicilia Clip-In model. Available in 600 x 600 mm and 300 x 1200 mm formats, its design means it can **continuously be adjusted without the full panel having to be removed from the profile**. This panel (in both dimensions) remains suspended and acts as a traditional hatch, which is extremely convenient for maintenance staff.

Panels are pre-lacquered in THU 9010 white or THU 9006 silver (check availability in other colours) and **can be made with their visible surface machined in any of the perforations available in the catalogue** (square measuring 8 x 8 or 5 x 5, or round in diameters of 6 mm, 2.5 mm, 2 mm or 1.5 mm, or extra-micro in 0.7 mm ). They are fitted with a **thermo-adhesive acoustic veil** on the back.

These panels are installed using hidden triangular THU profiles that operate with a Clip-In system and a design that allows panels to be folded. Panels are suspended from the upper framework using threaded rods that are fixed via one of the ends to the suspended pieces designed to complete the collective function of the entire system.

**formats**

MODEL	PLATE	BOX	
	mm	m <sup>2</sup>	units
Pre-lacquered smooth	300 x 1200	3.6	10
	600 x 600	3.6	10
Pre-lacquered perforated	300 x 1200	3.6	10
	600 x 600	3.6	10

**finishes**

Smooth

Perforated 8 x 8  
24% perforated

Perforated 5 x 5  
23% perforated

Perforated Ø6  
17% perforated

Perforated Ø2.5  
U | 13% perforated  
M | 25% perforated  
ML | 6% perforated

Perforated Ø2  
U | 9% perforated  
M | 19% perforated

Perforated Ø1.5  
U | 11% perforated  
M | 21% perforated  
ML | 5% perforated

Perforated Ø0.7  
U | 2% perforated

**standard colours**

White THU 9010

Silver THU 9006

Black THU 9005

Other colours upon request.

Ceiling Solutions

THU

**performance features**

MODEL	Type	Units by m <sup>2</sup>	MODEL	Type	Units by m <sup>2</sup>
600 x 600 mm panel	Panels	2.80 units	300 x 1200 mm panel	Panels	2.80 units
	Triangle profile	2.45 ml		Triangle profile	1.65 ml
	Crossbrace	1.15 units		Crossbrace	0.60 units
	Hanger Parts	0.70 units		Hanger Parts	0.70 units

Approximate weight: 3.5 - 5 kg/m<sup>2</sup> depending on perforation type.

**technical characteristics**

Add-on	Perforation	αw up to	Acoustic Absorption Class	Reaction to fire	Durability	% Recycled Material up to
None	Smooth	-	-	A1	Class B	25%
Acoustic veil	Ø1.5 U	0.65	C	A1	Class B	25%
	Ø2.5 U	0.70	C	A1	Class B	25%
	□ 5 x 5	0.65	C	A1	Class B	25%
	□ 8 x 8	0.70	C	A1	Class B	25%
Mineral wool	Ø1.5 U	0.85	B	A1	Class B	25%
	Ø2.5 U	0.85	B	A1	Class B	25%
	□ 5 x 5	0.75	C	A1	Class B	25%
	□ 8 x 8	0.85	B	A1	Class B	25%

**acoustic insulation**

Panel Type	Sound Barrier	GNL* Difference: Dn,f,w	Levels by Octave Bands (dB)						APPLUS LGAI Report Number	
			125 Hz	250 Hz	500 Hz	1000 Hz	2000 Hz	4000 Hz		
Flush	Ø2.5 (12.5%)	No	30 dB	10.5	15.9	27.2	33.3	43.7	50.9	10/101565-1819
V8	□ 5 x 5 (23%)	No	31 dB	12.5	18.1	29.3	34.5	42.8	47.3	10/101565-1189
V6	Ø1.5 (10%)	No	31 dB	9.9	18.5	29.3	34.1	41.0	44.6	10/101565-1192
V8	Ø 1,5 (10%)	No	32 dB	11.8	18.6	30.3	36.7	43.7	47.2	10/101565-1193
V8	Ø1.5 (10%)	Yes	37 dB	13.8	25.0	37.6	43.4	51.9	52.2	10/101565-1818
Flush	Smooth (0%)	No	37 dB	12.5	25.4	38.8	42.3	40.8	45.0	10/101565-1190
Flush	Smooth (0%)	Yes	42 dB	16.1	31.3	42.5	48.9	47.0	49.1	10/101565-1191

\*GNL: Global Normalised Levels



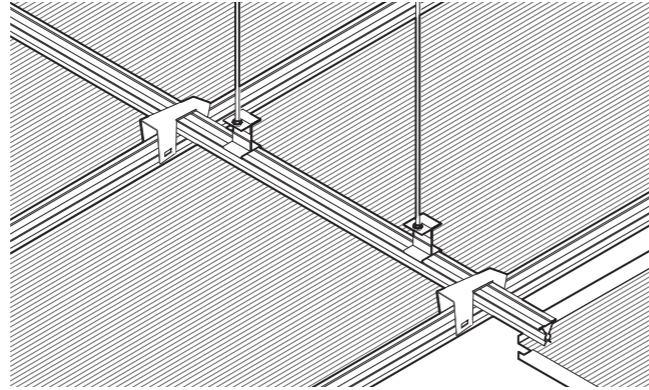
Panels formed by folding, manufactured in pre-lacquered galvanized steel sheets of 0.50 mm thickness (please enquire about other thicknesses). A 0.60 mm aluminium option is also available. All panels are supplied with protective adhesive film.

Pre-lacquered polyester panels with a minimum thickness of 25 micrometres in colour White (RAL 9010) or Silver (RAL 9006). This type of finish is highly resistant to corrosion and offers excellent durability (gloss and colour retention).

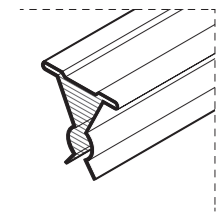
sicilia clip-in folding panel

## mounting

The metallic panels fit into triangular shaped profiles which are fixed to the upper structure by means of a system of threaded connecting rods. The hanger parts fit together as a guide over the triangle THU profiles, remaining hidden to produce a continuous and adjustable ceiling.

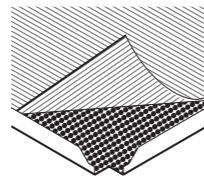


## accessories



### Triangle profile

Suspension system for the Sicilia panels. The triangle profile holds the panels together and remains concealed (clip-in system).



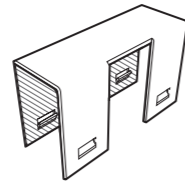
### Acoustic veil

0.2 mm thick acoustic veil which prevents the build-up of dust and dirt. Fixed to the inside face by thermal activation.



### Hanger part

Hanger part for the triangle profile designed for use with threaded support rods. Placed as guide over the triangle profile.



### Crossbrace

Metallic part used to join the upper and lower triangle profiles which allows the sliding of the latter underneath the former to facilitate the assembly of the panels.



### Extraction spatula

Tool for the easy extraction of hidden profiles without damaging it.

## TECHNICAL DETAILS

